



• ED1865M Series.

DC Brushless fan.

Size:180 x180 x 65 mm

7 x 2.5 inches

Airflow: Max. 480 CFM / 13.6 m³/min

Metal Frame / Metal Impeller

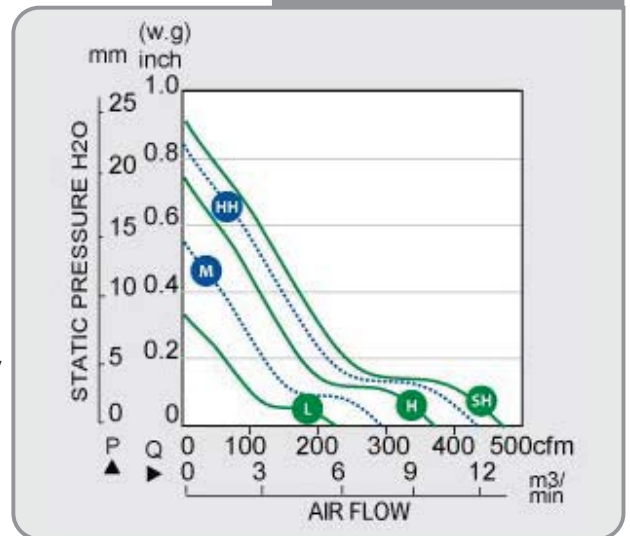
Model No.	Rated Voltage	Voltage Range	Input Power	Rated Current	Ref Speed	Max. Airflow		Max. Static Pressure		Noise Level	PQ Curves
	VDC	VDC	Watt	Amp	RPM	CFM	m ³ /min	Inch/H ₂ O	mm/H ₂ O	dB (A)	
ED1865M-12SH**	12	9~13.8	64.8	5.4	3700	475	13.5	0.87	22.1	64	SH
ED1865M-12HH**	12	9~13.8	50.4	4.2	3400	440	12.5	0.82	20.83	62	HH
ED1865M-12H**	12	9~13.8	23	1.9	2800	360	10.2	0.72	18.29	58	H
ED1865M-12M**	12	10~14	13.2	1.1	2200	295	8.4	0.59	13.97	49	M
ED1865M-12L**	12	10~14	5.5	0.45	1600	220	6.2	0.38	9.65	38	L
ED1865M-24SH**	24	12~27.6	63.6	2.65	4300	480	13.6	0.88	22.35	66	SH
ED1865M-24HH**	24	12~27.6	50.4	2.1	3800	445	12.6	0.82	20.83	62	HH
ED1865M-24H**	24	12~27.6	24	0.97	3500	360	10.2	0.72	18.29	58	H
ED1865M-24M**	24	12~28	13	0.52	2800	295	8.4	0.55	13.97	49	M
ED1865M-24L**	24	15~28	5	0.20	2200	220	6.2	0.38	9.65	38	L
ED1865M-48SH**	48	24~53	62.4	1.3	1600	480	13.6	0.88	22.35	66	SH
ED1865M-48HH**	48	24~53	49.4	1.03	3800	445	12.6	0.82	20.83	62	HH
ED1865M-48H**	48	24~55	23.5	0.48	3500	360	10.2	0.72	18.29	58	H
ED1865M-48M**	48	28~58	14.5	0.30	2800	295	8.4	0.55	13.97	49	M
ED1865M-48L**	48	30~60	5.8	0.12	1600	220	6.2	0.38	9.65	38	L

** = "BL" for Ball bearing wire lead type, or "BT" for Ball bearing terminal type.

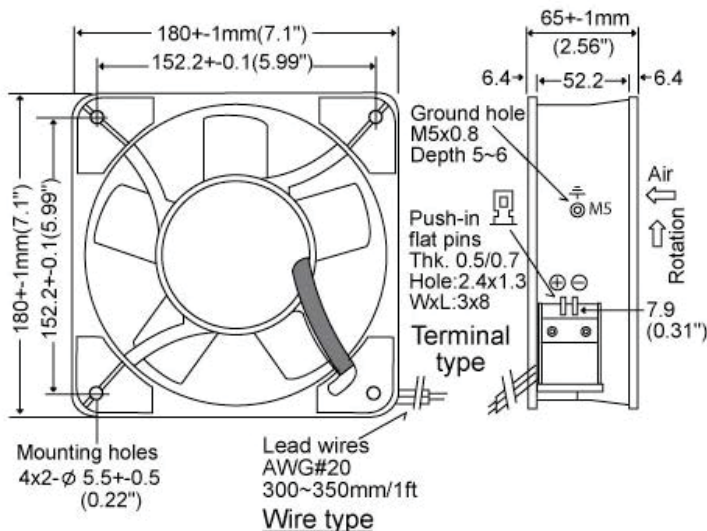
We Reserve the right to change data and improve electrical & mechanical design without notice, data tolerance +/- 10%

Motor Type:	Microprocessor brushless DC Motor, auto cutoff, auto restart
Burnout Protection:	Electronically protected, polarity protected
IP Protection:	IP55 , 56 Optional request
Mechanical	
Frame:	Aluminum die cast, black color(AP)
Impeller:	5 blades, all metal
Bearing:	Two ball bearings
Rotation:	CW seen on rotor
Connection:	Wire lead or terminal flat pin connecting
Weight:	1400 g (3.08 Lbs)
Electronical	
Dielectric Strength:	500 VAC/min. Max leakage 500mA
Speed Control:	Optional:PWM, S/C NTC thermister,0~10V control voltage S/V
Signal Output:	Optional:R/D alarm output, tachometer output F/G
Environment	
Operating Temp:	-20°C~+65°C
Storage Temp:	-25°C~+75°C (at 65%RH)
Life Expectancy:	L10 50K hours at 50°C

► Performance P-Q Curves.



► Outline Dimensions.



Fan Accessories

